

TABULATED LIST OF TOWER LUMBER.

THE BAKER MANUFACTURING CO.

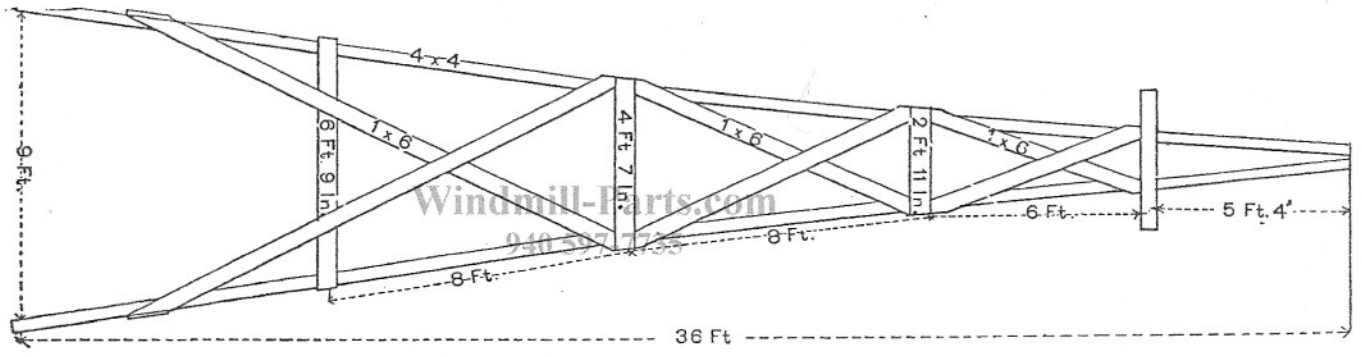
HEIGHT OF TOWER.		No. Sets of Braces.	CORNER POSTS.										LADDER	BRACES AND GIRTS.								LOW'R GEAR JOISTS.			PLAT-FORM.	Price Planed and Splices Cat.												
14 ft. Geared Mill & Harper.	12 ft. Geared Mill.		6x6x30	6x6x28	6x6x26	6x6x24	6x6x22	4x6x28	4x6x26	4x6x24	4x6x22	4x6x20		4x6x16	4x6x14	4x6x12	4x4x24	4x4x22	4x4x20	4x4x18	2x4x18	2x4x16	2x6x24	2x6x22			2x6x20	2x6x18	2x6x16	2x6x14	2x6x12	1x6x18	1x6x16	1x6x14	1x6x12	2x8x20	2x8x16	4x8x20
36	36	2	4	4	4	4	4	4	4	4	4	4	4	4	4	4	4	4	4	5	5	8	8	8	8	8	8	8	8	8	8	8	8	8	8	8	1	\$ 9.50
40	40	3	4	4	4	4	4	4	4	4	4	4	4	4	4	4	4	4	5	5	8	8	8	8	8	8	8	8	8	8	8	8	8	8	1	12.75		
46	46	4	4	4	4	4	4	4	4	4	4	4	4	4	4	4	4	4	5	5	8	8	8	8	8	8	8	8	8	8	8	8	8	8	1	14.75		
50	50	4	4	4	4	4	4	4	4	4	4	4	4	4	4	4	4	4	5	5	8	8	8	8	8	8	8	8	8	8	8	8	8	8	1	16.00		
56	56	5	4	4	4	4	4	4	4	4	4	4	4	4	4	4	4	4	5	5	8	8	8	8	8	8	8	8	8	8	8	8	8	8	1	18.00		
60	60	5	4	4	4	4	4	4	4	4	4	4	4	4	4	4	4	4	5	5	8	8	8	8	8	8	8	8	8	8	8	8	8	8	1	21.50		
70	70	6	4	4	4	4	4	4	4	4	4	4	4	4	4	4	4	4	5	5	8	8	8	8	8	8	8	8	8	8	8	8	8	8	1	28.75		
80	80	6	4	4	4	4	4	4	4	4	4	4	4	4	4	4	4	4	5	5	8	8	8	8	8	8	8	8	8	8	8	8	8	8	1	35.00		
40	40	3	4	4	4	4	4	4	4	4	4	4	4	4	4	4	4	4	5	5	8	8	8	8	8	8	8	8	8	8	8	8	8	8	1	12.50		
46	46	4	4	4	4	4	4	4	4	4	4	4	4	4	4	4	4	4	5	5	8	8	8	8	8	8	8	8	8	8	8	8	8	8	1	16.50		
50	50	4	4	4	4	4	4	4	4	4	4	4	4	4	4	4	4	4	5	5	8	8	8	8	8	8	8	8	8	8	8	8	8	8	1	20.50		
55	55	5	4	4	4	4	4	4	4	4	4	4	4	4	4	4	4	4	5	5	8	8	8	8	8	8	8	8	8	8	8	8	8	8	8	1	26.50	
60	60	5	4	4	4	4	4	4	4	4	4	4	4	4	4	4	4	4	5	5	8	8	8	8	8	8	8	8	8	8	8	8	8	8	8	1	32.50	
70	70	5	4	4	4	4	4	4	4	4	4	4	4	4	4	4	4	4	5	5	8	8	8	8	8	8	8	8	8	8	8	8	8	8	8	1	38.50	
80	80	6	4	4	4	4	4	4	4	4	4	4	4	4	4	4	4	4	5	5	8	8	8	8	8	8	8	8	8	8	8	8	8	8	8	1	44.50	
40	40	3	4	4	4	4	4	4	4	4	4	4	4	4	4	4	4	4	5	5	8	8	8	8	8	8	8	8	8	8	8	8	8	8	8	1	53.50	

Round Platform & Brackets, extra, 10 ft., \$2.50; 12 ft., \$3.00; 14 ft., \$3.50; 16 ft. & 18 ft., \$4.00 per set.

NOTE:—The above list includes the lumber necessary to make the ordinary square platform, and also to make the ladder on the center of one of the sides outside of the braces. The length of the timbers making up the corner posts of any tower may be varied to suit conveniences, provided that the combined length of each post is unchanged.

Windmill-Parts.com 940 597-7735

Scale 6 ft. to one inch



Upper End of Post Framed

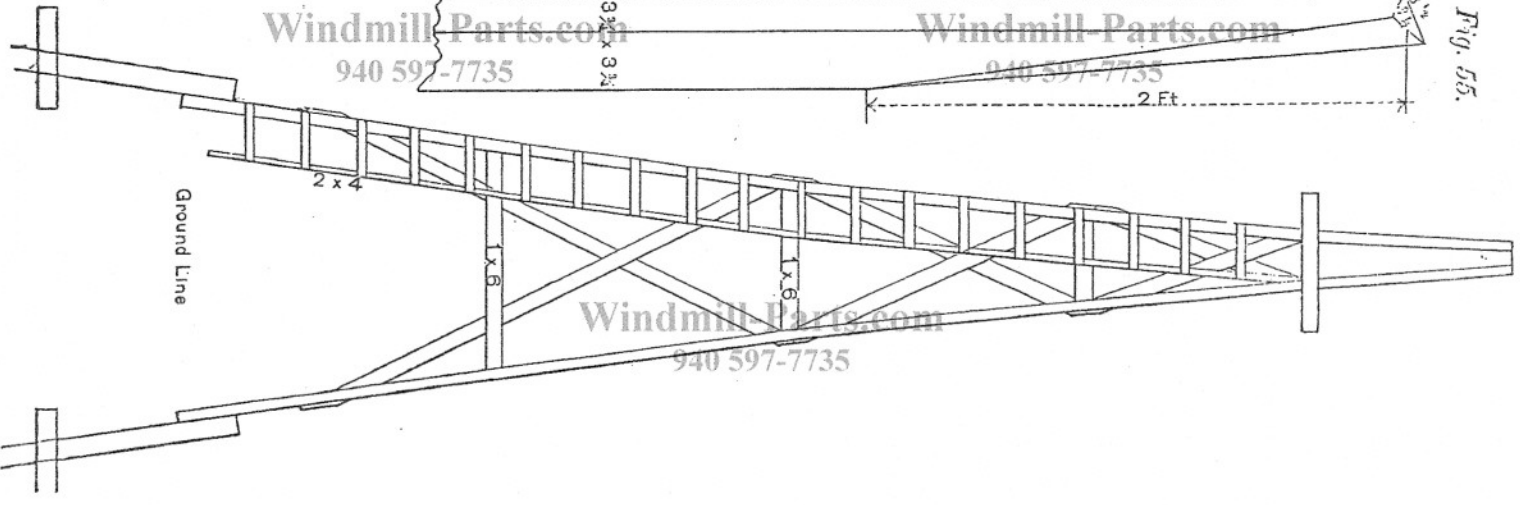


Fig. 55.

Windmill-Parts.com 940 597-7735

Windmill-Parts.com 940 597-7735